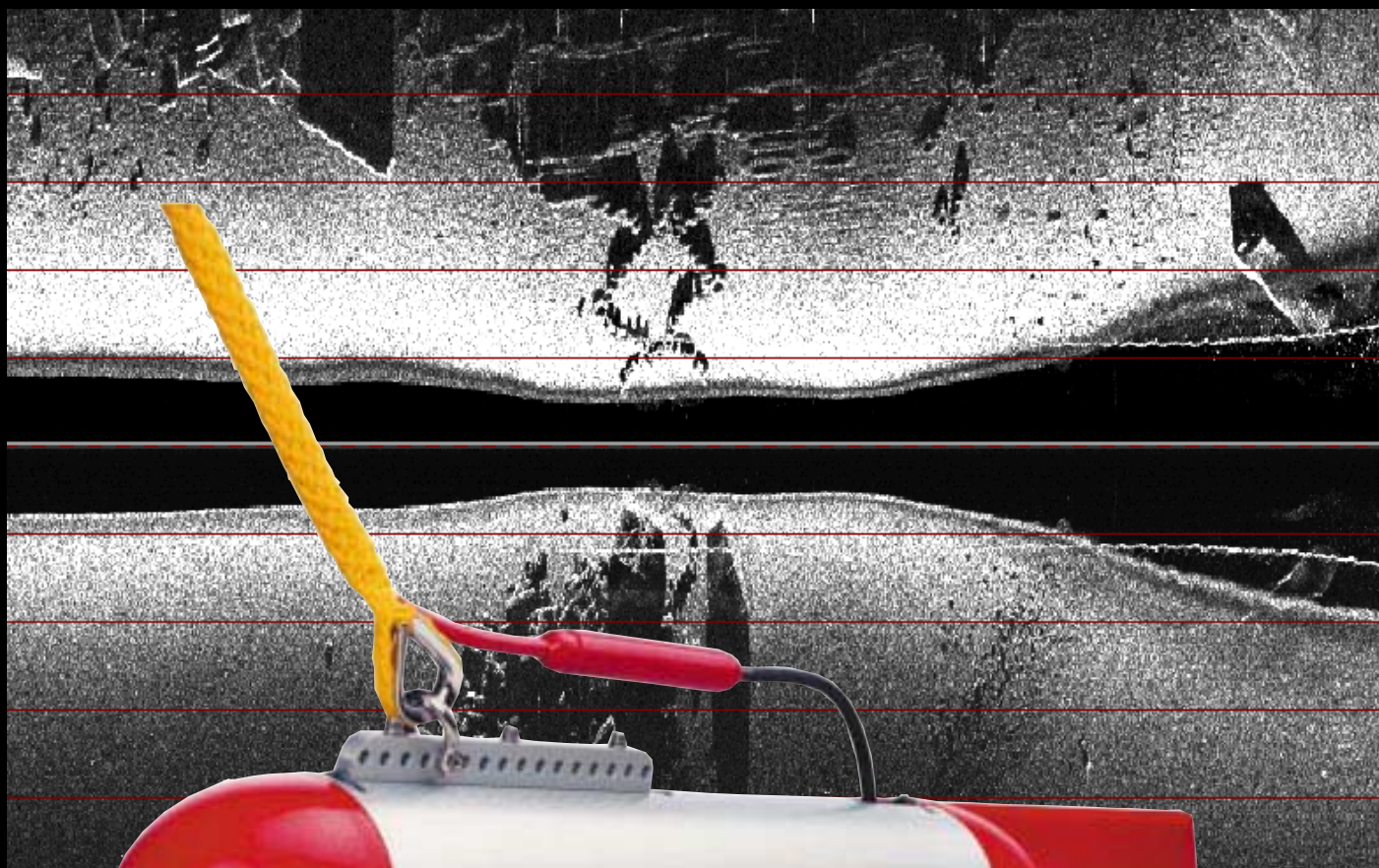


R E D E F I N I N G I M A G E C L A R I T Y

The Imagenex SportScan
Digital SideScan Sonar

30 m side scan image of artificial reef at Porteau Cove in British Columbia, Canada - 800 kHz.



The new SportScan sidescan sonar system is a remarkable breakthrough in price and performance!

At **IMAGENEX**, we think no Sonar feature is more important than **image clarity**. Our design team helped pioneer modern imaging sonar technology, and we continue to lead the way, pushing the **performance** boundaries of our high resolution sonar units. With continuous technological advancements, software and hardware **compatibility, portability** and overall ease of use, **IMAGENEX** sonar systems set the industry **standard** as the most **specified** sonar systems **world wide**.



- 1) Laptop
- 2) 4 Conductor 75' Tow Cable
- 3) Nose piece removed
- 4) Weight tray removed
- 5) Standard belt weights fixed to weight tray

IMAGENEX SPORTSCAN TECHNICAL SPECIFICATIONS

FEATURES

- User Friendly
- Lightweight and Portable
- Inexpensive
- 23m (75') Tow Cable Included
- High Resolution
- Up to 240m (800') Total Coverage
- GPS Interface
- Speed Correction
- Height and Length Measurements
- 4 User Selectable Colour Tables
- XTF Conversion Program (optional)

APPLICATIONS

- Underwater Archaeology
- Sunken Timber Recovery
- Search & Recovery
- Surveying
- Law Enforcement Work
- Scientific Research
- Environmental Survey

The new SportScan sidescan sonar system is a remarkable breakthrough in price and performance for sidescan towfishes. This totally digital, full featured system is complete and ready for connection.

Operate the SportScan directly from your laptop or desktop PC. All that is needed is a 12 VDC power source.

Connect a GPS receiver for latitude and longitude coordinates.

SPECIFICATIONS

RECOMMENDED COMPUTER SPECIFICATIONS:

100 MHz Pentium, 16 MB Ram, 1 GB Hard Disk, 800 x 600 x 256 Colour Graphics. Windows 95, 98, Me, NT, 2000 and XP operating systems.

FREQUENCY:

330 kHz or 330/800 kHz

TRANSDUCER: One transducer per side, tilted down 20°

TRANSDUCER BEAM WIDTH:

330 kHz 1.8° x 60°
800 kHz 0.7° x 30°

RANGE:

15 m, 30 m, 60 m, 90 m, and 120 m

POWER SUPPLY:

10 - 16 VDC at 300 mA max.

INTERFACE:

RS-232 Serial Interface at 115.2 kbps

CABLE LENGTH:

23 m (75') cable included,
45 m (150') or 60 m (200') optional

MAXIMUM OPERATING DEPTH:

30 m (100')

MATERIALS:

Polyurethane and 6061-T6 Aluminum

FINISH: Clear anodized

DIMENSIONS: 114 mm (4.5") diameter x 833 mm (32.8") length

WEIGHT: 4.5 kg in air (10 lbs)
1.2 kg in water (2.7 lbs)

Not including ballast.

SOME TYPICAL CUSTOMER RESPONSES

"We have found that this instrument is very useful and convenient, especially in shallow marine and coastal lagoon surveys."

The quality of the sonar images were very impressive for such a small unit. The setup was extremely simple even though we had never had this equipment before."

Roper Resources Ltd.
984 St. Patrick Street
Victoria, BC, Canada, V8S 4X5
Canadian Sales : (250) 361-9115
USA Sales : (805) 798-0277
Email: chris@roperresources.com
Web: www.roperresources.com

For more information about Imagenex Sonar products, please contact Imagenex Technology Corp. Specifications subject to change without notice. Please contact Imagenex for confirmation.

IMAGENEX SPORTSCAN

APPLICATIONS:

- Underwater Archaeology
- Sunken Timber Recovery
- Search & Recovery
- Surveying
- Law Enforcement Work
- Scientific Research
- Environmental Survey

FEATURES:

- Very user friendly
- Lightweight and extremely portable
- Inexpensive
- 23 m (75') tow cable included
- High resolution
- Up to 240 m (800') total coverage
- GPS interface
- Speed correction
- Height and length measurements
- 4 user selectable colour tables
- XTF Conversion program (optional)

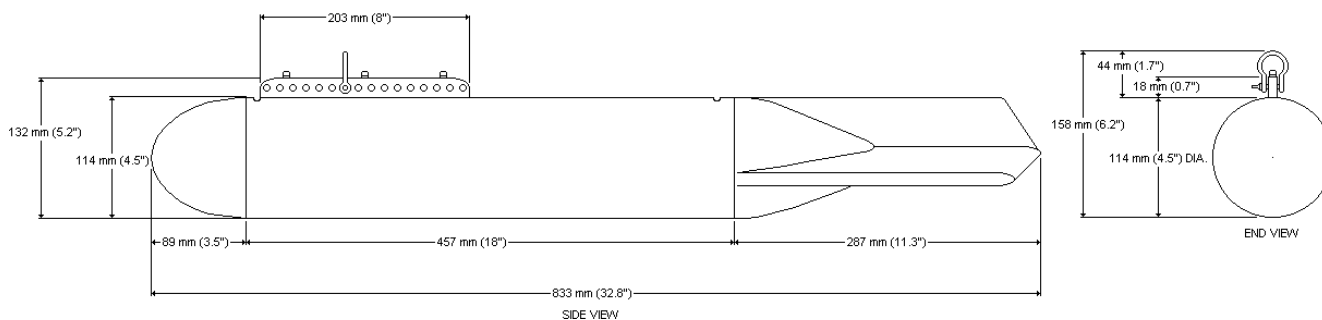
The Imagenex SportScan is an affordable dual channel, high-resolution, digital side-scan sonar geared toward the sport diving market. Operate the SportScan directly from your laptop or desktop PC. All that is needed is a 12 VDC power source. Connect a GPS receiver for latitude and longitude coordinates.



HARDWARE SPECIFICATIONS:	
FREQUENCY	330 kHz or 330 / 800 kHz
TRANSDUCER	One transducer per side, tilted down 20°
TRANSDUCER BEAM WIDTH	330 kHz: 1.8° x 60° 800 kHz: 0.7° x 30°
DISPLAY RESOLUTION	Both sides displayed: Range scale ÷ 200 Single side displayed: Range scale ÷ 400
MAX. OPERATING DEPTH	30 m (100')
MAX. CABLE LENGTH	60 m (200')
INTERFACE	RS-232 serial interface @ 115.2 kbps
CONNECTOR	Wet mateable (Impulse LPMBH-4-MP)
POWER SUPPLY	10 – 16 VDC at 300 mA max.
DIMENSIONS	114 mm (4.5") diameter x 833 mm (32.8") length
WEIGHT: In Air	4.5 kg (10 lbs)
In Water	1.2 kg (2.7 lbs)
BALLAST	Standard diver belt weights (readily available at dive shops)
MATERIALS	Polyurethane & 6061-T6 Aluminum
FINISH	Clear anodized

SOFTWARE SPECIFICATIONS:	Win881ss.exe
WINDOWS™ OPERATING SYSTEM	Windows™ 95, 98, Me, NT*, 2000*, XP*
MODES	Side Scan
RANGE SCALES	15 m, 30 m, 60 m, 90 m, and 120 m (50', 100', 200', 300', and 400')
FILE FORMAT	(filename).81s
GPS INPUT (4800, N, 8, 1) NMEA 0183 FORMATS:	GLL, GGA, VTG, RMC
RECOMMENDED MINIMUM COMPUTER REQUIREMENTS:	100 MHz Pentium 16 MB RAM 1 GB Hard Disk 800 x 600 x 256 colour graphics

* Requires Win881ss.exe v2.00 or higher (Free upgrade available for older versions – Contact Imagenex)



ORDERING INFORMATION:		
30 m unit w / 23 m SportScan tow cable	Standard	881-000-150
330 / 800 kHz	Option	-005
45 m (150') SportScan tow cable	Option	-016
60 m (200') SportScan tow cable	Option	-017
XTF Converter (Imagenex .81s to XTF)	Option	-019

Product and company names listed are trademarks or trade names of their respective companies.